



## Oil cleaning: A simple solution for an invisible problem

A Simple, environmentally friendly solution for increased uptime and process availability. Investing in oil cleaning gives your company a better economy.

### EF2110V

#### Offline oil cleaner

#### Removes all types of contamination:

- Soft and hard particles down to  $\geq 0,1 \mu\text{m}$
- Bacteria
- Water (free and emulsified)
- Oxidation products (sludge and resin).

#### Benefits:

- Cost effective maintenance
- No oil changes = Environmentally friendly
- Change filters instead of changing oil
- Increased machine lifetime
- Less downtime
- No oxidation in oil

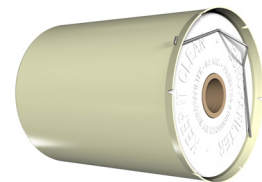


### Filter insert EF500HY

Dirt capacity: ISO 12103-1 FTD: 1755 g  $\geq 0,1$  micron

Water absorption, restricted and unrestricted:  $\geq 3000\text{ml}$

Material insert: Cellulose, Polypropylene Homopolymer

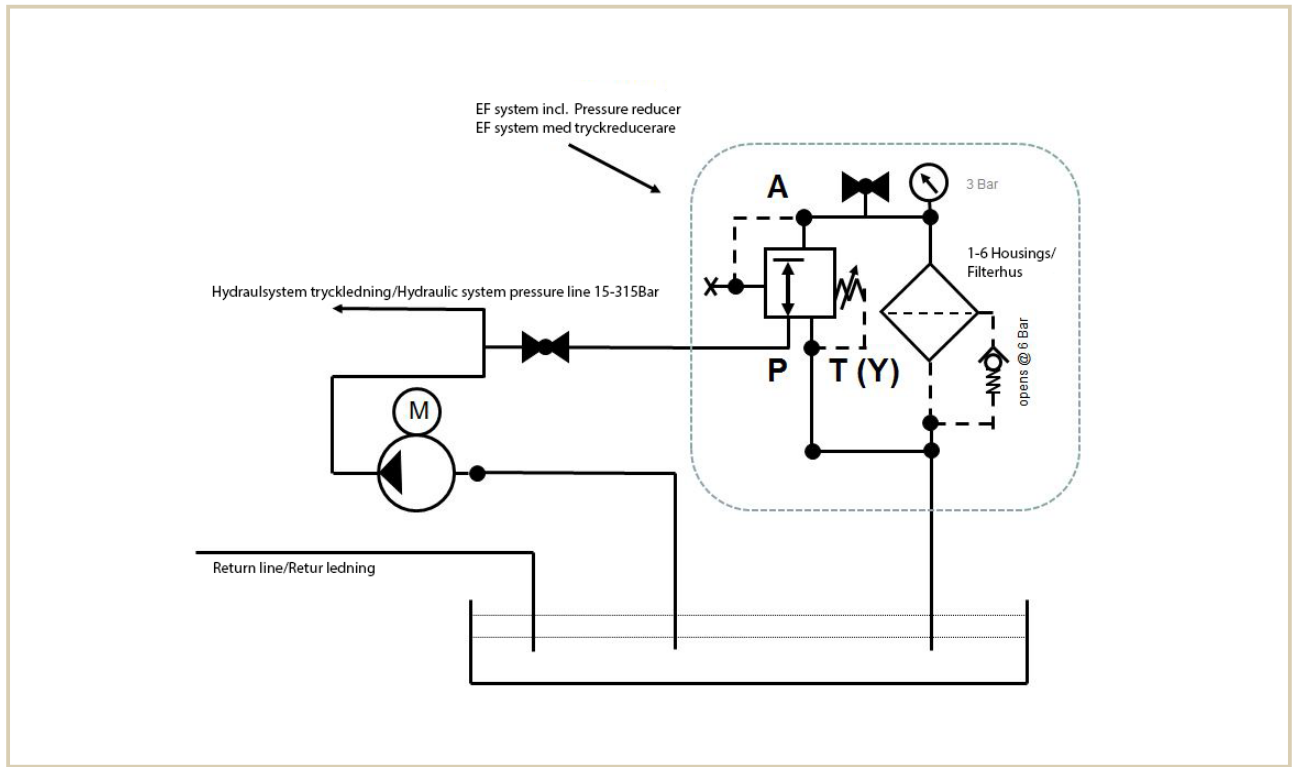


## TECHNICAL SPECIFICATION

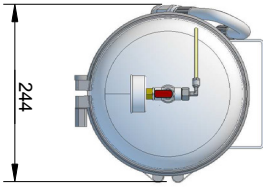
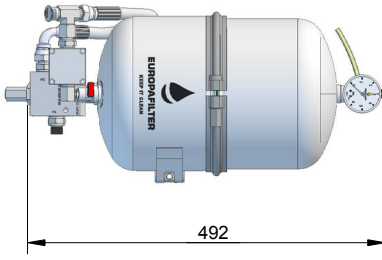
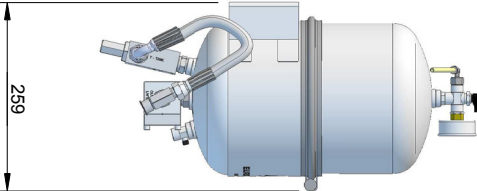
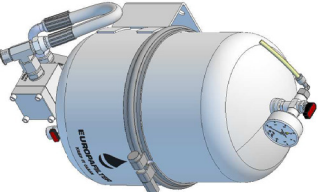
Europafilter	EF2110V
Dry weight:	8,3 kg
Operating weight:	16,6 kg
Depth:	259 mm
Width:	255 mm
Height:	521 mm (Service height filter replacement + 250 mm)
Dirt capacity: (particles/water)	Particles ISO 12103-1 FTD: 1755 g $\geq$ 0,1 micron Water absorption, restricted and unrestricted: $\geq$ 3000 ml (Depending on oiltype)
Oil temp:	Max. 80 °C (On higher temperatures contact Europafilter)
Particle removal:	$\geq$ 0,1 micron
Working pressure:	0.8–5 bar
Pressure:	Max. 6 bar, safety valve opens at 6 bar
Power consumption:	0.12 kW
Power supply:	Standard 1x230 V. Optional 3x220 V / 3x400 V+N. Others on request
Hose connection IN:	$\varnothing$ 3/4" BSP
Hose connection OUT:	$\varnothing$ 3/8" BSP
Installation (see drawing):	Connect as an offline unit. «IN» = hose to tank and «UT» = hose to tank
Flow, min.–max.:	6–240 l/h. Varies depending on oil viscosity and pressure
Approx flow at 3 bar:	32 cSt    46 cSt    68 cSt    100 cSt    150 cSt    220 cSt    320 cSt    460 cSt
	2 l/min    1,5 l/min    1 l/min    0,8 l/min    0,6 l/min    0,4 l/min    0,2 l/min    0,1 l/min
Oil volume *, max. rec.:	6000 l    4500 l    3000 l    2600 l    2200 l    2000 l    900 l    450 l

\* For other oilvolumes: Contact your Europafilter dealer.

## TECHNICAL DRAWING Offline installation



TECHNICAL SPECIFICATION

1	2	3	4	5	6																		
A	B	C	D	A	B																		
1	2	3	4	5	6																		
A	B	C	D	A	B																		
																							
<table border="1" style="width:100%; border-collapse: collapse;"> <tr> <th style="width: 15%;">Itemref</th> <th style="width: 15%;">Quantity</th> <th colspan="2" style="width: 40%;">Title/Name, designation, material, dimension etc</th> <th style="width: 15%;">Article No./Reference</th> <th style="width: 15%;">Scale</th> </tr> <tr> <td>Drawn by Joachim Raiml</td> <td></td> <td>Checked by</td> <td>Approved by - date</td> <td>Date 2014-05-14</td> <td></td> </tr> <tr> <td colspan="3" style="text-align: center;">EF2110V</td> <td style="text-align: center;">Edition</td> <td colspan="2" style="text-align: center;">Sheet</td> </tr> </table>			Itemref	Quantity	Title/Name, designation, material, dimension etc		Article No./Reference	Scale	Drawn by Joachim Raiml		Checked by	Approved by - date	Date 2014-05-14		EF2110V			Edition	Sheet				
Itemref	Quantity	Title/Name, designation, material, dimension etc		Article No./Reference	Scale																		
Drawn by Joachim Raiml		Checked by	Approved by - date	Date 2014-05-14																			
EF2110V			Edition	Sheet																			
																							
<table border="1" style="width:100%; border-collapse: collapse;"> <tr> <th style="width: 25%;">RevNo</th> <th style="width: 40%;">Revision note</th> <th style="width: 25%;">Date</th> <th style="width: 10%;">Signature</th> <th style="width: 10%;">Checked</th> </tr> <tr> <td> </td> <td> </td> <td> </td> <td> </td> <td> </td> </tr> </table>			RevNo	Revision note	Date	Signature	Checked																
RevNo	Revision note	Date	Signature	Checked																			
1	2	3	4	5	6																		
A	B	C	D	A	B																		